





Standard Glands with Thread, Polyamide

Polyamide cable glands with lamellar clamping

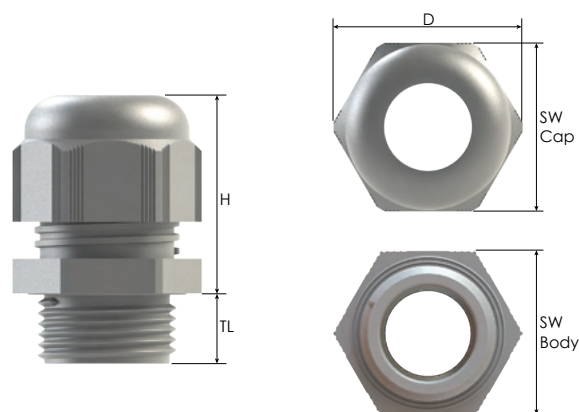
- For standard industrial applications.
- Easy assembly.
- High quality strain relief and Seal, reliable performance for standard industrial applications.
- Up-to-date international approvals.

Technical Details		
Material	Body, Cap	PA 6 (Polyamide 6)
	Seal	CR (Chloroprene)
Ingress Protection Rating	IP 68 - 5 Bar, 30 min	
	IP 66	
UL Environmental Rating	TYPE 1, 4X acc. to UL 50E	
Flammability	V2 according to UL94	
Operating Temperature	Permanent	-20 °C to +100 °C
	Intermittent	-30 °C to +150 °C
Thread Type	<ul style="list-style-type: none"> • Metric EN 60423 • PG DIN 40430 • NPT ANSI B1.20.1 • Gas ISO 228 • Other thread types also available upon request. 	
Cable Type	Non armoured	
Accessories	<ul style="list-style-type: none"> • Lock nuts • Dome plugs • Reducing seals • Flat cable seals • Multihole seals • Gaskets (Washers) 	
Remarks	<ul style="list-style-type: none"> • In compliance with DIN EN 62444. • We recommend the use of lock nuts and gaskets to ensure IP rating for rough surfaces or through holes. • Accessories must be ordered separately. • Some approvals do not cover all sizes. • Other colours on request: RAL 5015 (blue) RAL 9003 (white) RAL 3020 (red) 	
Approvals	Certificate Number	Standards
	134171	DIN EN 62444
	115116_0_000	CSA C22.2 No18.3-12
	E199260	UL514B UL50E CSA22.2 No 18.3-12 CSA22.2 No 94.2-15
	TAE00003WX	EN 62444

For details of approvals see, our web page.



Standard Glands with Thread, Polyamide







Thread Type METRIC acc. to EN 60423									
Outer Thread Size (Male)	Clamping Range	Outer Thread Length	Spanner Width		Outer Ø	max. Height	Part Number		
			Cap	Body			RAL 7035 light grey	RAL 7001 grey	RAL 9005 black
			SW Cap mm	SW Body mm					
	Ø min - max mm	TL mm			D mm	H mm			
M12x1,5	2,0 - 5,0	8,0	15	15	17,0	25,3	BI-1S	BI-0S	BI-2S
	2,0 - 5,0	10,0	15	15	17,0	25,3	BM-EN-1SMR	BM-EN-OSMR	BM-EN-2SMR
	2,0 - 5,0	15,0	15	15	17,0	25,3	BM-EN-1SRL	BM-EN-OSRL	BM-EN-2SRL
	3,0 - 6,5	8,0	15	15	17,0	25,3	BM-1S	BM-0S	BM-2S
	3,0 - 6,5	10,0	15	15	17,0	25,3	BM-EN-1SM	BM-EN-OSM	BM-EN-2SM
	3,0 - 6,5	15,0	15	15	17,0	25,3	BM-EN-1SL	BM-EN-OSL	BM-EN-2SL
M16x1,5	2,0 - 6,0	8,0	19	19	21,7	27,4	BM-EN-11R	BM-EN-01R	BM-EN-21R
	2,0 - 6,0	10,0	19	19	21,7	27,4	BM-EN-11MR	BM-EN-01MR	BM-EN-21MR
	2,0 - 6,0	15,0	19	19	21,7	27,4	BM-EN-11LR	BM-EN-01LR	BM-EN-21LR
	3,0 - 7,0	10,0	22	22	25,0	32,2	BI-11	BI-01	BI-21
	3,0 - 7,0	15,0	22	22	25,0	32,2	BI-11L	BI-01L	BI-21L
	4,0 - 8,0	8,0	19	19	21,7	27,4	BM-EN-11	BM-EN-01	BM-EN-21
	4,0 - 8,0	10,0	19	19	21,7	27,4	BM-EN-11M	BM-EN-01M	BM-EN-21M
	4,0 - 8,0	15,0	19	19	21,7	27,4	BM-EN-11L	BM-EN-01L	BM-EN-21L
	5,0 - 10,0	10,0	22	22	25,0	32,2	BM-11	BM-01	BM-21
5,0 - 10,0	15,0	22	22	25,0	32,2	BM-11L	BM-01L	BM-21L	
M20x1,5	5,0 - 9,0	10,0	24	24	27,0	32,4	BI-12	BI-02	BI-22
	5,0 - 9,0	15,0	24	24	27,0	32,4	BI-12L	BI-02L	BI-22L
	6,0 - 12,0	10,0	24	24	27,0	32,4	BM-12	BM-02	BM-22
	6,0 - 12,0	15,0	24	24	27,0	32,4	BM-12L	BM-02L	BM-22L
	7,0 - 12,0	10,0	27	27	30,9	31,9	BI-13	BI-03	BI-23
	7,0 - 12,0	15,0	27	27	30,9	31,9	BI-14	BI-04	BI-24
	7,0 - 13,0	10,0	25	25	27,5	34,0	BM-EN-12S	BM-EN-02S	BM-EN-22S
	10,0 - 14,0	10,0	27	27	30,9	31,9	BM-13	BM-03	BM-23
	10,0 - 14,0	15,0	27	27	30,9	31,9	BM-14	BM-04	BM-24
M25x1,5	9,0 - 13,0	8,0	29	29	32,5	37,7	BM-EN-13R	BM-EN-03R	BM-EN-23R
	9,0 - 13,0	15,0	29	29	32,5	37,7	BM-EN-13RL	BM-EN-03RL	BM-EN-23RL
	9,0 - 16,0	10,0	33	33	37,2	38,4	BI-15	BI-05	BI-25
	9,0 - 16,0	15,0	33	33	37,2	38,4	BI-16	BI-06	BI-26
	11,0 - 17,0	8,0	29	29	32,5	37,7	BM-EN-13	BM-EN-03	BM-EN-23
	11,0 - 17,0	15,0	29	29	32,5	37,7	BM-EN-13L	BM-EN-03L	BM-EN-23L
	13,0 - 18,0	10,0	33	33	37,2	38,4	BM-15	BM-05	BM-25
13,0 - 18,0	15,0	33	33	37,2	38,4	BM-16	BM-06	BM-26	
M32x1,5	11,0 - 15,0	10,0	36	36	41,0	42,3	BM-EN-14R	BM-EN-04R	BM-EN-24R
	11,0 - 15,0	15,0	36	36	41,0	42,3	BM-EN-14RL	BM-EN-04RL	BM-EN-24RL
	12,0 - 20,0	15,0	42	42	47,1	43,3	BI-17	BI-07	BI-27
	15,0 - 21,0	10,0	36	36	41,0	42,3	BM-EN-14	BM-EN-04	BM-EN-24
	15,0 - 21,0	15,0	36	36	41,0	42,3	BM-EN-14L	BM-EN-04L	BM-EN-24L
	18,0 - 25,0	15,0	42	42	47,1	43,3	BM-17	BM-07	BM-27
M40x1,5	16,0 - 23,0	10,0	46	46	52,4	47,4	BM-EN-15R	BM-EN-05R	BM-EN-25R
	16,0 - 23,0	18,0	46	46	52,4	47,4	BM-EN-15RL	BM-EN-05RL	BM-EN-25RL
	19,0 - 28,0	10,0	46	46	52,4	47,4	BM-EN-15	BM-EN-05	BM-EN-25
	19,0 - 28,0	18,0	46	46	52,4	47,4	BM-EN-15L	BM-EN-05L	BM-EN-25L
	20,0 - 26,0	18,0	53	53	59,6	52,4	BI-18	BI-08	BI-28
	22,0 - 32,0	18,0	53	53	59,6	52,4	BM-18	BM-08	BM-28
M50x1,5	25,0 - 31,0	18,0	60	60	67,8	54,8	BI-19	BI-09	BI-29
	30,0 - 38,0	18,0	60	60	67,8	54,8	BM-19	BM-09	BM-29
M63x1,5	29,0 - 35,0	18,0	65	65	72,4	54,9	BI-20	BI-10	BI-30
	34,0 - 44,0	18,0	65	65	72,4	54,9	BM-20	BM-10	BM-30
M75x2,0	48,0 - 55,0	25,0	75	80	89,0	55,0	BM-B12	BM-B02	BM-B22

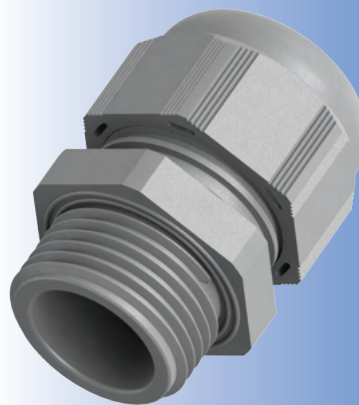
Standard Glands with Thread, Polyamide

Polyamide cable glands with lamellar clamping

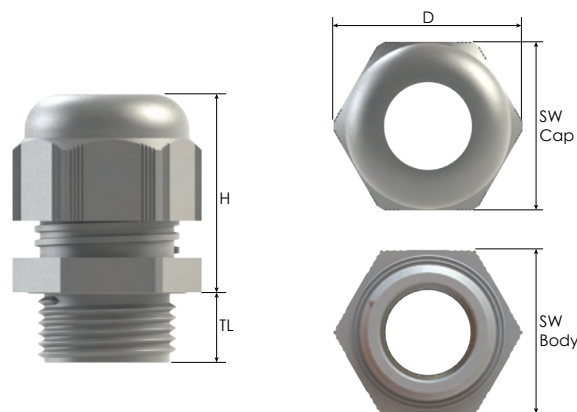
- For standard industrial applications.
- Easy assembly.
- High quality strain relief and Seal, reliable performance for standard industrial applications.
- Up-to-date international approvals.

Technical Details		
Material	Body, Cap	PA 6 (Polyamide 6)
	Seal	CR (Chloroprene)
Ingress Protection Rating	IP 68 - 5 Bar, 30 min	
	IP 66	
UL Environmental Rating	TYPE 1, 4X acc. to UL 50E	
Flammability	V2 according to UL94	
Operating Temperature	Permanent	-20 °C to +100 °C
	Intermittent	-30 °C to +150 °C
Thread Type	<ul style="list-style-type: none"> • Metric EN 60423 • PG DIN 40430 • NPT ANSI B1.20.1 • Gas ISO 228 • Other thread types also available upon request. 	
Cable Type	Non armoured	
Accessories	<ul style="list-style-type: none"> • Lock nuts • Dome plugs • Reducing seals • Flat cable seals • Multihole seals • Gaskets (Washers) 	
Remarks	<ul style="list-style-type: none"> • In compliance with DIN EN 62444. • We recommend the use of lock nuts and gaskets to ensure IP rating for rough surfaces or through holes. • Accessories must be ordered separately. • Some approvals do not cover all sizes. • Other colours on request: RAL 5015 (blue) RAL 9003 (white) RAL 3020 (red) 	
Approvals	Certificate Number	Standards
	134171	DIN EN 62444
	115116_0_000	CSA C22.2 No18.3-12
	E199260	UL514B UL50E CSA22.2 No 18.3-12 CSA22.2 No 94.2-15
	TAE00003WX	EN 62444

For details of approvals see, our web page.



Standard Glands with Thread, Polyamide



Thread Type NPT acc. to ANSI B1.20.1

Outer Thread Size (Male)	Clamping Range	Outer Thread Length	Spanner Width		Outer Ø	max. Height	Part Number		
			Cap	Body			RAL 7035 light grey	RAL 7001 grey	RAL 9005 black
	Ø min-max mm	TL mm	SW Cap mm	SW Body mm	D mm	H mm			
NPT 3/8"	3,0 - 7,0	15,0	22	22	25,0	32,2	BSPA-11R	BSPA-01R	BSPA-21R
	5,0 - 10,0	15,0	22	22	25,0	32,2	BSPA-11	BSPA-01	BSPA-21
NPT 1/2"	5,0 - 9,0	15,0	24	24	27,0	32,4	BSPB-12R	BSPB-02R	BSPB-22R
	6,0 - 12,0	15,0	24	24	27,0	32,4	BSPB-12	BSPB-02	BSPB-22
	7,0 - 12,0	15,0	27	27	30,9	31,9	BSPC-12R	BSPC-02R	BSPC-22R
	10,0 - 14,0	15,0	27	27	30,9	31,9	BSPC-12	BSPC-02	BSPC-22
NPT 3/4"	9,0 - 16,0	15,0	33	33	37,2	38,4	BSPD-13R	BSPD-03R	BSPD-23R
	13,0 - 18,0	15,0	33	33	37,2	38,4	BSPD-13	BSPD-03	BSPD-23
NPT 1"	12,0 - 20,0	18,0	42	42	47,1	43,3	BSP-14R	BSP-04R	BSP-24R
	18,0 - 25,0	18,0	42	42	47,1	43,3	BSP-14	BSP-04	BSP-24

Thread Type PG acc. to DIN 40430

Outer Thread Size (Male)	Clamping Range	Outer Thread Length	Spanner Width		Outer Ø	max. Height	Part Number		
			Cap	Body			RAL 7035 light grey	RAL 7001 grey	RAL 9005 black
	Ø min-max mm	TL mm	SW Cap mm	SW Body mm	D mm	H mm			
PG 7	2,0 - 5,0	8,0	15	15	17,0	25,3	BSR-11	BSR-01	BSR-21
	3,0 - 6,5	8,0	15	15	17,0	25,3	BS-11	BS-01	BS-21
PG 9	2,0 - 6,0	8,0	19	19	21,7	27,4	BSR-12	BSR-02	BSR-22
	4,0 - 8,0	8,0	19	19	21,7	27,4	BS-12	BS-02	BS-22
PG 11	3,0 - 7,0	8,0	22	22	25,0	32,2	BSR-13	BSR-03	BSR-23
	5,0 - 10,0	8,0	22	22	25,0	32,2	BS-13	BS-03	BS-23
PG 13,5	5,0 - 9,0	10,0	24	24	27,0	32,4	BSR-14	BSR-04	BSR-24
	6,0 - 12,0	10,0	24	24	27,0	32,4	BS-14	BS-04	BS-24
PG 16	7,0 - 12,0	10,0	27	27	30,9	31,9	BSR-15	BSR-05	BSR-25
	10,0 - 14,0	10,0	27	27	30,9	31,9	BS-15	BS-05	BS-25
PG 21	9,0 - 16,0	11,0	33	33	37,2	38,4	BSR-16	BSR-06	BSR-26
	13,0 - 18,0	11,0	33	33	37,2	38,4	BS-16	BS-06	BS-26
PG 29	12,0 - 20,0	11,0	42	42	47,1	43,3	BSR-17	BSR-07	BSR-27
	18,0 - 25,0	11,0	42	42	47,1	43,3	BS-17	BS-07	BS-27
PG 36	20,0 - 26,0	13,0	53	53	59,6	52,4	BSR-18	BSR-08	BSR-28
	22,0 - 32,0	13,0	53	53	59,6	52,4	BS-18	BS-08	BS-28
PG 42	25,0 - 31,0	13,0	60	60	67,8	54,8	BSR-19	BSR-09	BSR-29
	30,0 - 38,0	13,0	60	60	67,8	54,8	BS-19	BS-09	BS-29
PG 48	29,0 - 35,0	14,0	65	65	72,4	54,9	BSR-20	BSR-10	BSR-30
	34,0 - 44,0	14,0	65	65	72,4	54,9	BS-20	BS-10	BS-30

Thread Type G acc. to G ISO 228

Outer Thread Size (Male)	Clamping Range	Outer Thread Length	Spanner Width		Outer Ø	max. Height	Part Number		
			Cap	Body			RAL 7035 light grey	RAL 7001 grey	RAL 9005 black
	Ø min-max mm	TL mm	SW Cap mm	SW Body mm	D mm	H mm			
G 1/4"	2,0 - 5,0	10,0	15	15	17,0	25,3	BPFR-1S	BPFR-0S	BPFR-2S
	3,0 - 6,5	10,0	15	15	17,0	25,3	BPF-1S	BPF-0S	BPF-2S
G 3/8"	3,0 - 7,0	11,0	22	22	25,0	32,2	BPFR-11	BPFR-01	BPFR-21
	5,0 - 10,0	11,0	22	22	25,0	32,2	BPF-11	BPF-01	BPF-21
G 1/2"	5,0 - 9,0	10,0	24	24	27,0	32,4	BPFR-12	BPFR-02	BPFR-22
	6,0 - 12,0	10,0	24	24	27,0	32,4	BPF-12	BPF-02	BPF-22
	7,0 - 12,0	11,0	27	27	30,9	31,9	BPFR-13	BPFR-03	BPFR-23
	10,0 - 14,0	11,0	27	27	30,9	31,9	BPF-13	BPF-03	BPF-23
G 3/4"	9,0 - 16,0	12,0	33	33	37,2	38,4	BPFR-14	BPFR-04	BPFR-24
	13,0 - 18,0	12,0	33	33	37,2	38,4	BPF-14	BPF-04	BPF-24
G 1"	12,0 - 20,0	13,0	42	42	47,1	43,3	BPFR-15	BPFR-05	BPFR-25
	18,0 - 25,0	13,0	42	42	47,1	43,3	BPF-15	BPF-05	BPF-25